

European Technical Approval ETA-12/0583

English translation prepared by DIBt - Original version in German language

Handelsbezeichnung
Trade name

KEIL Hinterschnittanker KH für Fassadenplatten HI-MACS(R)
Typ: Alpine White
*KEIL undercut anchor KH for facade panels HI-MACS(R)
type: Alpine White*

Zulassungsinhaber
Holder of approval

LG Hausys Europe GmbH
Lyoner Straße 15
60528 Frankfurt/Main
DEUTSCHLAND

Zulassungsgegenstand
und Verwendungszweck
*Generic type and use
of construction product*

Spezialanker zur rückseitigen Befestigung von Fassadenplatten aus
Massivplattenmaterial aus natürlichem Acrylstein
*Special anchor for the rear fixing of facade panels made of natural
acrylic stone*

Geltungsdauer:
Validity: vom
from
bis
to

11 January 2013
11 January 2018

Herstellwerk
Manufacturing plant

Herstellwerk 1

Diese Zulassung umfasst
This Approval contains

14 Seiten einschließlich 5 Anhänge
14 pages including 5 annexes

I LEGAL BASES AND GENERAL CONDITIONS

- 1 This European technical approval is issued by Deutsches Institut für Bautechnik in accordance with:
 - Council Directive 89/106/EEC of 21 December 1988 on the approximation of laws, regulations and administrative provisions of Member States relating to construction products¹, modified by Council Directive 93/68/EEC² and Regulation (EC) N°1882/2003 of the European Parliament and of the Council³;
 - *Gesetz über das In-Verkehr-Bringen von und den freien Warenverkehr mit Bauprodukten zur Umsetzung der Richtlinie 89/106/EWG des Rates vom 21. Dezember 1988 zur Angleichung der Rechts- und Verwaltungsvorschriften der Mitgliedstaaten über Bauprodukte und anderer Rechtsakte der Europäischen Gemeinschaften (Bauproduktengesetz - BauPG) vom 28. April 1998⁴, as amended by Article 2 of the law of 8 November 2011⁵;*
 - Common Procedural Rules for Requesting, Preparing and the Granting of European technical approvals set out in the Annex to Commission Decision 94/23/EC⁶.
- 2 Deutsches Institut für Bautechnik is authorized to check whether the provisions of this European technical approval are met. Checking may take place in the manufacturing plant. Nevertheless, the responsibility for the conformity of the products to the European technical approval and for their fitness for the intended use remains with the holder of the European technical approval.
- 3 This European technical approval is not to be transferred to manufacturers or agents of manufacturers other than those indicated on page 1, or manufacturing plants other than those indicated on page 1 of this European technical approval.
- 4 This European technical approval may be withdrawn by Deutsches Institut für Bautechnik, in particular pursuant to information by the Commission according to Article 5(1) of Council Directive 89/106/EEC.
- 5 Reproduction of this European technical approval including transmission by electronic means shall be in full. However, partial reproduction can be made with the written consent of Deutsches Institut für Bautechnik. In this case partial reproduction has to be designated as such. Texts and drawings of advertising brochures shall not contradict or misuse the European technical approval.
- 6 The European technical approval is issued by the approval body in its official language. This version corresponds fully to the version circulated within EOTA. Translations into other languages have to be designated as such.

¹ Official Journal of the European Communities L 40, 11 February 1989, p. 12
² Official Journal of the European Communities L 220, 30 August 1993, p. 1
³ Official Journal of the European Union L 284, 31 October 2003, p. 25
⁴ *Bundesgesetzblatt Teil I 1998*, p. 812
⁵ *Bundesgesetzblatt Teil I 2011*, p. 2178
⁶ Official Journal of the European Communities L 17, 20 January 1994, p. 34

II SPECIFIC CONDITIONS OF THE EUROPEAN TECHNICAL APPROVAL

1.1 Definition of the product

The KEIL undercut anchor KH for façade panels "HI-MACS" is a special anchor made of stainless steel, consisting of a crosswise slotted anchor sleeve with an M6 internal thread, at the upper edge of which a hexagon is formed to it and a respective hexagon bolt with an integrated tooth lock washer. The anchor is put into an undercut drill hole and by driving-in the screw it is placed form-fitted and deformation-controlled.

For the installed anchor see figure in Annex 1.

1.2 Intended use

The KEIL undercut anchor KH may be used for the rear fixing of façade panels "HI-MACS" made of polymethylmethacrylat. The façade panels shall correspond to the drawings and specifications of the annexes.

The façade panels with rear fixing by the anchor may only be used for rear ventilated front curtain walls. Each façade panel shall be fixed technically strain-free with at least four anchors in a rectangular arrangement via single agraffes on a capable substructure (for small panels or small fitted pieces, differential or fill- in pieces the number and position of the anchors shall be chosen constructively).

The anchor may be used in structures subject to dry internal conditions and also in structures subject to external atmospheric exposure (including industrial and marine environment), if no particular aggressive conditions exist. Such particular aggressive conditions are e.g. permanent, alternating immersion in seawater or the splash zone of seawater, chloride atmosphere of indoor swimming pools or atmosphere with extreme chemical pollution (e.g. in desulphurisation plants or road tunnels where de-icing materials are used).

The provisions made in this European Technical Approval are based on an assumed working life of the anchor of 50 years. The indications given on the working life cannot be interpreted as a guarantee given by the producer, but are to be regarded only as a means for choosing the right products in relation to the expected economically reasonable working life of the works.

2 Characteristics of the product and method of verification

2.1 Characteristics of the product

The anchor corresponds to the drawings and specifications given in Annex 2. The characteristic material values, dimensions and tolerances of the anchor not indicated in Annex 2 shall correspond to the respective values laid down in the technical documentation⁷ of this European technical approval.

⁷ The technical documentation comprises all information necessary for the production, installation and maintenance of the anchor; these are in particular the design drawings and the installation instructions. The part to be treated confidentially is deposited with Deutsches Institut für Bautechnik and, as far as this is relevant to the tasks of the approved bodies involved in the procedure of attestation of conformity, shall only be handed over to the approved body.

The anchor is considered to satisfy the requirements for performance class A1 of the characteristic reaction to fire, in accordance with the provisions of EC decision 96/603/EC (as amended) without the need for testing on the basis of its listing in that decision.

In addition to the specific clauses relating to dangerous substances contained in this European Technical Approval, there may be other requirements applicable to the products falling within its scope (e.g. transposed European legislation and national laws, regulations and administrative provisions). In order to meet the provisions of the Construction Products Directive, these requirements need also to be complied with, when and where they apply.

The characteristic values for the design of the façade panels with rear fixing by the anchor are given in Annex 4.

Every anchor is marked with the identifying mark of the producer and the anchor size according to Annex 2.

The anchor shall only be packaged and supplied as a complete unit (anchor sleeve and screw).

2.2 Methods of verification

The assessment of the fitness of the anchor for the intended use in relation to the requirement for safety in use in the sense of the essential requirement N°4 of Council Directive 89/106/EEC has been made based on the following verifications:

- (1) Axial tension
- (2) Shear
- (3) Combined tension and shear loading
- (4) Functioning under repeated loads
- (5) Functioning under sustained loads
- (6) Functioning under freeze/thaw conditions
- (7) Functioning after immersion in water
- (8) Functioning after temperature
- (9) Functioning after exposure (UV-radiation, humidity)

3 Evaluation and attestation of conformity and CE marking

3.1 System of attestation of conformity

According to the communication of the European Commission⁸ the system 2 (ii)-1 (referred to as System 2+) of attestation of conformity applies.

These systems of attestation of conformity are defined as follows:

System 2+: Declaration of conformity of the product by the manufacturer on the basis of:

- (a) Tasks for the manufacturer:
 - (1) initial type-testing of the product;
 - (2) factory production control;
 - (3) testing of samples taken at the factory in accordance with a prescribed test plan.
- (b) Tasks for the approved body:
 - (4) certification of factory production control on the basis of:
 - initial inspection of factory and of factory production control;
 - continuous surveillance, assessment and approval of factory production control.

⁸ Letter of the European Commission of 22/07/2002 to EOTA

3.2 Responsibilities

3.2.1 Tasks for the manufacturer

3.2.1.1 Factory production control

The manufacturer shall exercise permanent internal control of production. All the elements, requirements and provisions adopted by the manufacturer shall be documented in a systematic manner in the form of written policies and procedures, including records of results performed. This production control system shall insure that the product is in conformity with this European Technical Approval.

The manufacturer may only use initial materials and components stated in the technical documentation of this European Technical Approval.

The factory production control shall be in accordance with the control plan⁹ which is part of the technical documentation of this European Technical Approval. The control plan is laid down in the context of the factory production control system operated by the manufacturer and deposited with Deutsches Institut für Bautechnik.

The results of factory production control shall be recorded and evaluated in accordance with the provisions of the control plan.

3.2.1.2 Other tasks for the manufacturer

The manufacturer shall, on the basis of a contract, involve a body which is approved for the tasks referred to in section 3.1 in the field of "anchors" in order to undertake the actions laid down in section 3.2.2. For this purpose, the control plan referred to in sections 3.2.1.1 and 3.2.2 shall be handed over by the manufacturer to the approved body involved.

The manufacturer shall make a declaration of conformity, stating that the construction product is in conformity with the provisions of this European Technical Approval.

3.2.2 Tasks of approved bodies

The approved body shall perform the following tasks in accordance with the provisions laid down in the control plan:

- initial inspection of factory and of factory production control,
- continuous surveillance, assessment and approval of factory production control.

The approved body shall retain the essential points of its actions referred to above and state the results obtained and conclusions drawn in a written report.

The approved certification body involved by the manufacturer shall issue an EC certificate of conformity of the factory production control stating the conformity with the provisions of this European Technical Approval.

In cases where the provisions of the European Technical Approval and its control plan are no longer fulfilled the certification body shall withdraw the certificate of conformity and inform Deutsches Institut für Bautechnik without delay.

3.3 CE marking

The CE marking shall be affixed on the packaging or accompanying commercial document, e.g. the EC declaration of conformity. The letters „CE“ shall be followed by the identification number of the approved certification body, where relevant, and be accompanied by the following additional information:

- the name and address of the producer (legal entity responsible for the manufacturer),
- the last two digits of the year in which the CE marking was affixed,

⁹ The control plan is a confidential part of the European technical approval and only handed over to the approved body involved in the procedure of attestation of conformity. See section 3.2.2.

- the number of the EC certificate for the factory production control,
- the number of the European Technical Approval,
- size.

4 Assumptions under which the fitness of the product for the intended use was favourably assessed

4.1 Manufacture

The anchor is manufactured in accordance with the provisions of the European Technical Approval using the automated manufacturing process as identified in the inspection of the plant by Deutsches Institut für Bautechnik and the approved body and laid down in the technical documentation.

The European Technical Approval is issued for the product on the basis of agreed data/information, deposited with Deutsches Institut für Bautechnik, which identifies the product that has been assessed and judged. Changes to the product or production process, which could result in this deposited data/information being incorrect, should be notified to Deutsches Institut für Bautechnik before the changes are introduced. Deutsches Institut für Bautechnik will decide whether or not such changes affect the ETA and consequently the validity of the CE marking on the basis of the ETA and if so whether further assessment or alterations to the ETA shall be necessary.

4.2 Installation

4.2.1 Design of the fixings

The fitness of the anchor for the intended use is given under the following conditions:

- The façade panels made of polymethylmethacrylat (PMMA) "HI-MACS" correspond to the drawings and specifications of the annexes. The characteristic material values, dimensions and tolerances of the façade panels not indicated in the annexes shall correspond to the respective values laid down in the technical documentation¹⁰ of this European technical approval.
- Each façade panel is fixed with at least four anchors in rectangular arrangement via single agraffes to the substructure; the substructure is constructed such that the façade panels are fixed technically strain-free via skids (loose bearings) and one fixed bearing.
- The façade panels are arranged in a "reclined" or "upright" position, they also may be fixed at façade soffits.
- Two fixing points of the façade panel are designed such that they are able to carry the dead load of the façade panel.
- The load-bearing profiles are arranged symmetrically. The arrangement of the agraffes ensures a symmetric introduction of the load into the substructure.
- When using agraffes on horizontal load-bearing profiles the fixing points of a façade panel situated horizontally at the same height are fastened in each case to the same load-bearing profile.
- The façade panels neither are used to transmit impact loads nor for guard rail.

¹⁰ The technical documentation comprises all information necessary for the production, installation and maintenance of the anchor; these are in particular the design drawings and the installation instructions. The part to be treated confidentially is deposited with Deutsches Institut für Bautechnik and, as far as this is relevant to the tasks of the approved bodies involved in the procedure of attestation of conformity, shall only be handed over to the approved body.

- Joint construction between the façade panels is done by a joint filler or are kept open. It is ensured that additional stresses (e.g. by temperature) do not lead to important additional loadings.
- Taking account of the loads to be fixed checkable calculations and construction drawings are prepared; the position of the anchor is given in the construction drawing.
- The façade panels, their fixings as well as the substructure including its connection to wall brackets and their connection to the construction works are designed under the responsibility of an engineer skilled in the field of façade construction taking account the load effects (dead load, wind load) for the respective case of application and the following conditions:

- The design values of the actions shall be calculated on basis of EN 1990 in consideration of the existing loads. The combinations of actions shall be equal to EN 1990. The actions shall be specified according to EN 1991-1-1 to EN 1991-1-7. Corresponding national regulations shall be taken into consideration. The unfavourable combination is decisive. Where necessary for the design of the anchor and the façade panel several combinations shall be analysed separately. The typical fundamental combination for façade panels considers actions from dead load $F_{Sk,G}$ (permanent action) and wind $F_{Sk,w}$ (leading variable action)
- The verification of structural stability of the façade panels including its fixing is carried out. For the determined forces the following equation is observed:

$$F_{Sd} \leq F_{Rk} / \gamma_M$$

- with F_{Sd} [kN] = design value of the relevant existing force ($N_{Sd}, V_{Sd}, \sigma_{Sd}$)
 F_{Rk} [kN] = characteristic resistance ($N_{Rd}, V_{Rd}, \sigma_{Rd}$) according to Annex 4
 γ_M [-] = partial safety factor according to Annex 4

In case of coincident stress of an anchor due to tension and shear load the equation according to Annex 4 is observed.

- For flush fixed anchors and for installation of horizontal load-bearing profiles permanent loads due to torsion of the profile shall be considered in addition to actions from dead loads and wind in direction of the anchor axes. Simplifying these permanent loads can be determined as follows:

Load due to torsion of the load-bearing profile resulting from dead load of the façade panel

$$N_{Sk,V} = V_{Sk} \cdot 2e/c_H$$

with V_{Sk} = shear load due to dead load of the façade panel

e und c_H [mm] see Annex 5

The load due to torsion can be neglected, when there is no horizontal distance between anchor and vertical load-bearing profile.

- For the design relevant characteristic values of the anchor (resistances, edge distances and spacing) and of the panel (panel thickness, bending strength, modulus of elastic, Poisson's ratio, α_T , dead load) shall be taken from Annex 4.
- The edge distances, spacing and setting depth of the anchor as well as the nominal panel thickness according to Annex 4 are observed.
- For small panels or small fitted pieces, differential or fill- in pieces the number and position of the anchors shall be chosen constructively.

4.2.2 Installation of the anchors

The fitness for use of the anchor can be assumed only, if the following installation conditions are observed:

- During transport and storage on site the façade panels are protected from damages; the façade panels are not be hung up jerkily (if need be lifters shall be used for hanging up the façade panels); façade panels and reveal panels respectively with incipient cracks are not be installed.
 - Installation of the façade by appropriately qualified personnel according to the installation instructions.
 - Installation only as delivered by the manufacturer without exchanging the individual parts.
 - Installation according to manufacturer's specifications and construction drawings using the tools indicated in the installation instructions.
 - Keeping of the setting depth.
 - Keeping of the edge distance and spacing to the specified values.
 - Making of the undercut drillings on the back side of the façade panels at the factory or with the transportable drilling equipment of the company KEIL under workshop conditions on site using the KEIL façade drill according to Annex 3 and special drilling equipment corresponding to the information deposited with Deutsches Institut für Bautechnik. The execution is supervised by the responsible project supervisor or a skilled representative of the project supervisor.
 - The nominal diameter of the drill corresponds to the values of Annex 2.
 - The drillings are removed from the drill hole.
 - In case of aborted hole: new drilling at a minimum distance away of twice the depth of the aborted hole.
 - The geometry of the drill hole is checked on 1 % of all drillings. The following dimensions shall be checked and documented according to manufacturer's information and testing instructions by means of a measuring device according to Annex 3.
 - volume of the undercut drill hole
 - depth position of the undercut. The distance between the lower edge of the measuring device and the façade panel is between 0 and 0.3 mm (see Annex 3).
- If the tolerances are exceeded, the geometry of the drill hole shall be checked on 25 % of the drillings performed. No further drill hole may exceed the tolerances otherwise all the drill holes shall be controlled. Drilling holes falling below or exceeding the tolerances shall be rejected.
- Between agraffe and façade panel an elastic sandwich layer may placed (see Annex 1)
 - Fixing the screw with a torque moment $2.5 \text{ Nm} \leq T_{\text{inst}} \leq 4.0 \text{ Nm}$ using a calibrated torque wrench.

5 Indications to the manufacturer

It is in the responsibility of the manufacturer to ensure that the information on the specific conditions according to 1 and 2 including Annexes referred to and 4.2.1 and 4.2.2 is given to those who are concerned. This information may be made by reproduction of the respective parts of the European Technical Approval. In addition all installation data shall be shown clearly on the package and/or on an enclosed instruction sheet, preferably using illustration(s).

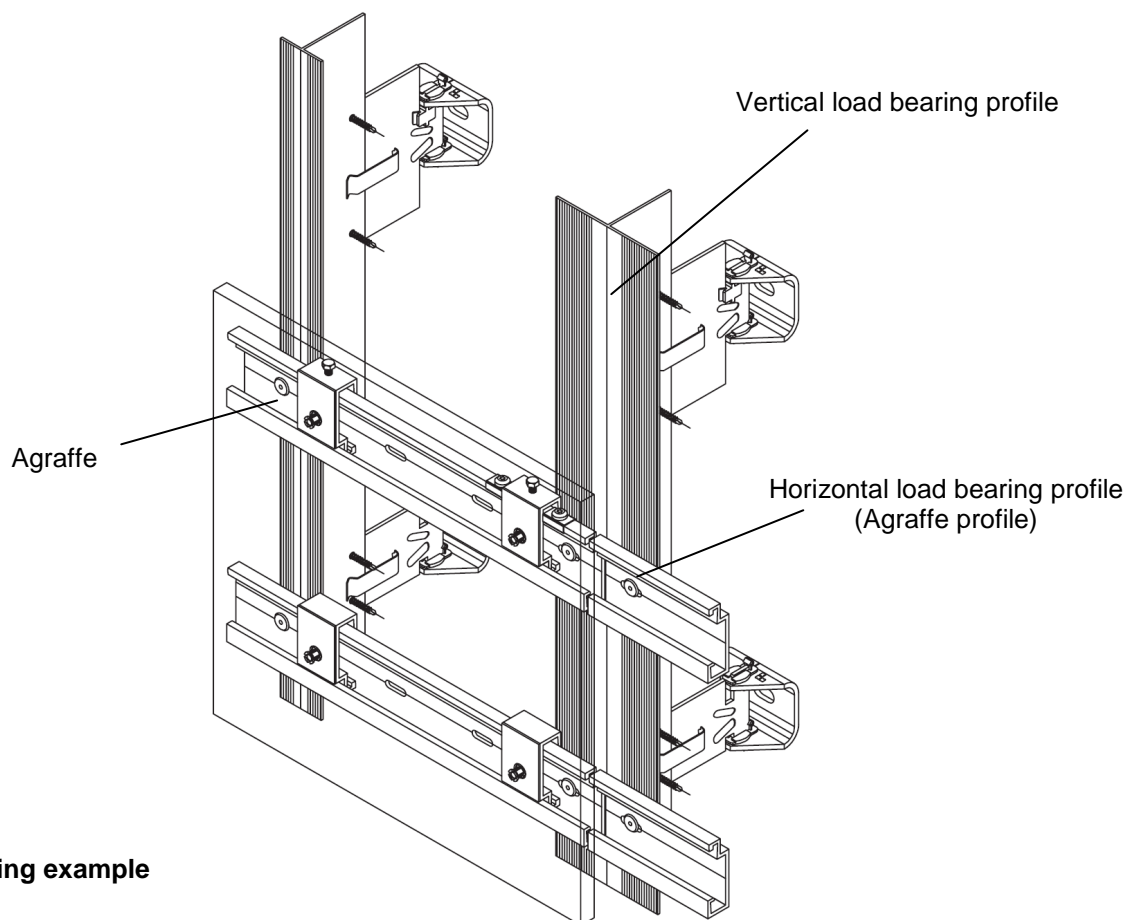
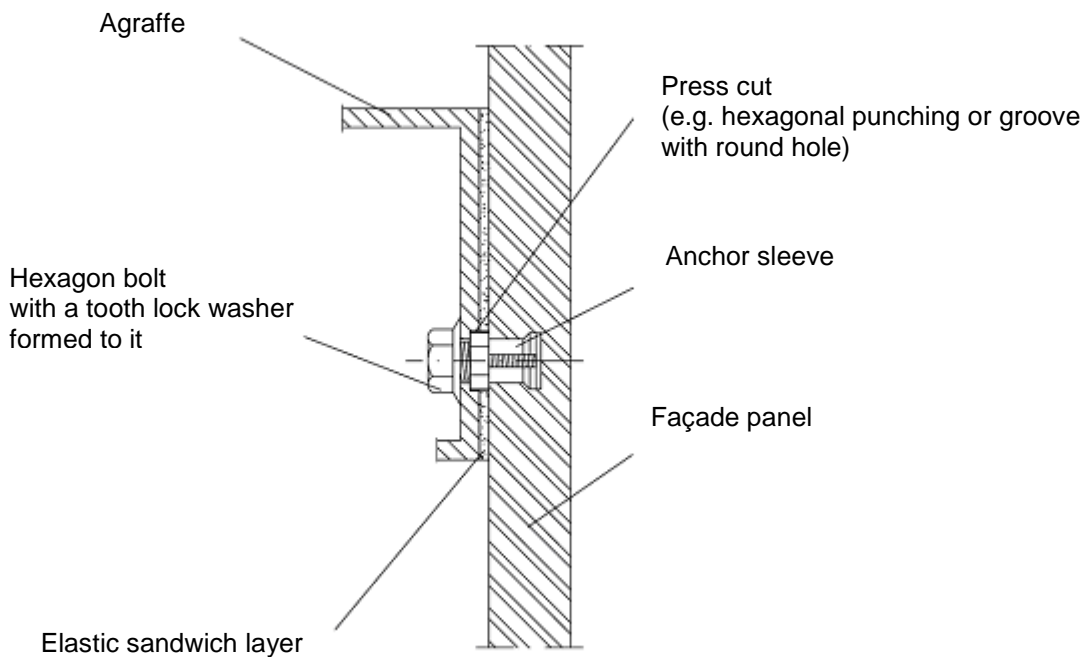
The minimum data required are:

- Setting depth;
- thickness of the joint structure;
- information on the installation procedure, preferably by means of an illustration,

All data shall be presented in a clear and explicit form.

Georg Feistel
Head of Department

beglaubigt:
Bürger



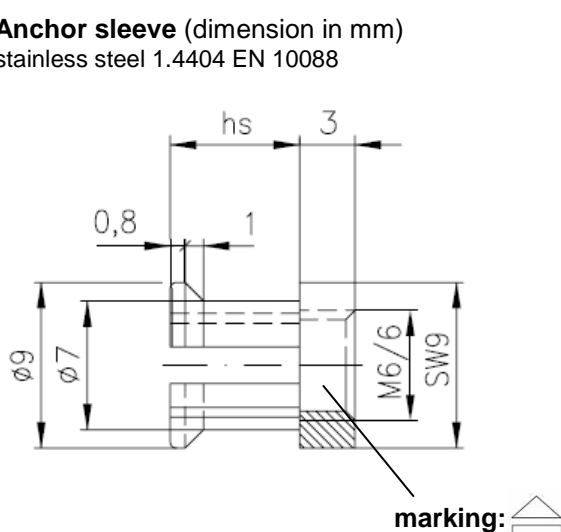
Fixing example

KEIL undercut anchor KH for facade panels HI-MACS(R) type: Alpine White

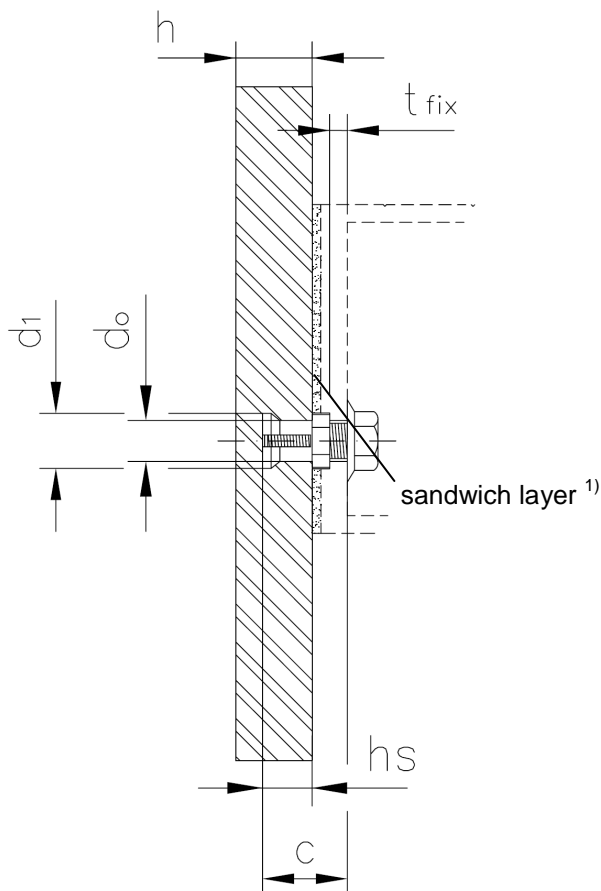
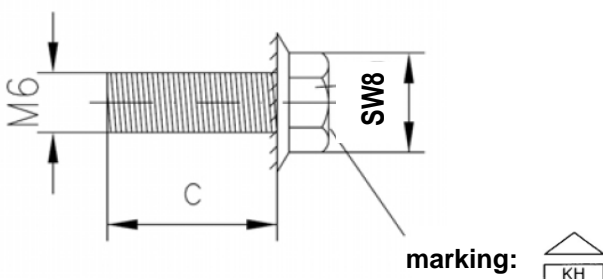
Product and intended use

Annex 1

Anchor sleeve (dimension in mm)
stainless steel 1.4404 EN 10088



Hexagon screw with tooth lock washer
stainless steel 1.4401, 1.4404 or 1.4578 EN 10088



¹⁾ elastic sandwich layer (e.g. EPDM) - thickness 1.0 to 3.0 mm

Table 1: Characteristic values for anchor installation

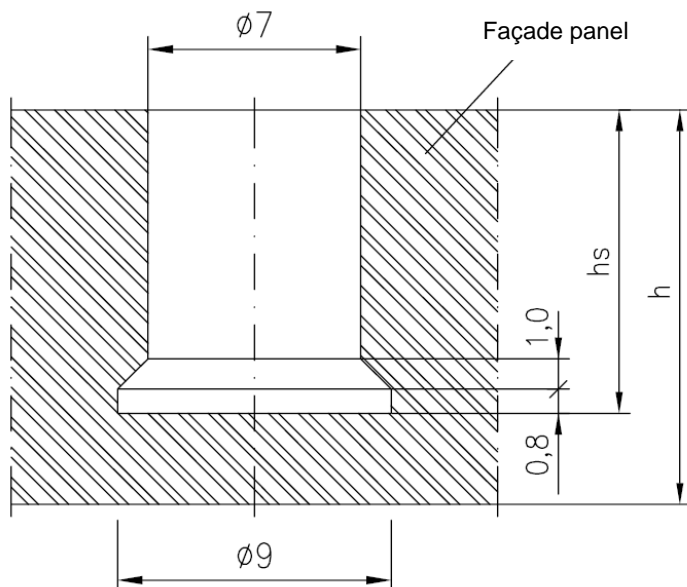
Anchor type		KH
Setting depth	$h_s =$ [mm]	8.5
Panel thickness	$h \geq$ [mm]	12.0
Diameter of drill hole	$d_o =$ [mm]	7.0
Diameter of undercut	$d_1 =$ [mm]	9.0
screw length	$c =$ [mm]	$h_s + 3\text{mm} + t_{\text{fix}}$
installation torque moment	T_{inst} [Nm]	$2.5 \leq T_{\text{inst}} \leq 4.0$

KEIL undercut anchor KH for facade panels HI-MACS(R) type: Alpine White

Parts of anchor and characteristic values for anchor installation

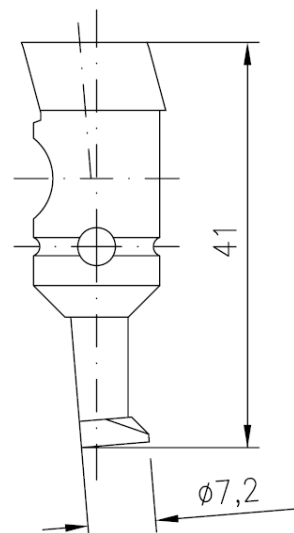
Annex 2

drill hole geometry

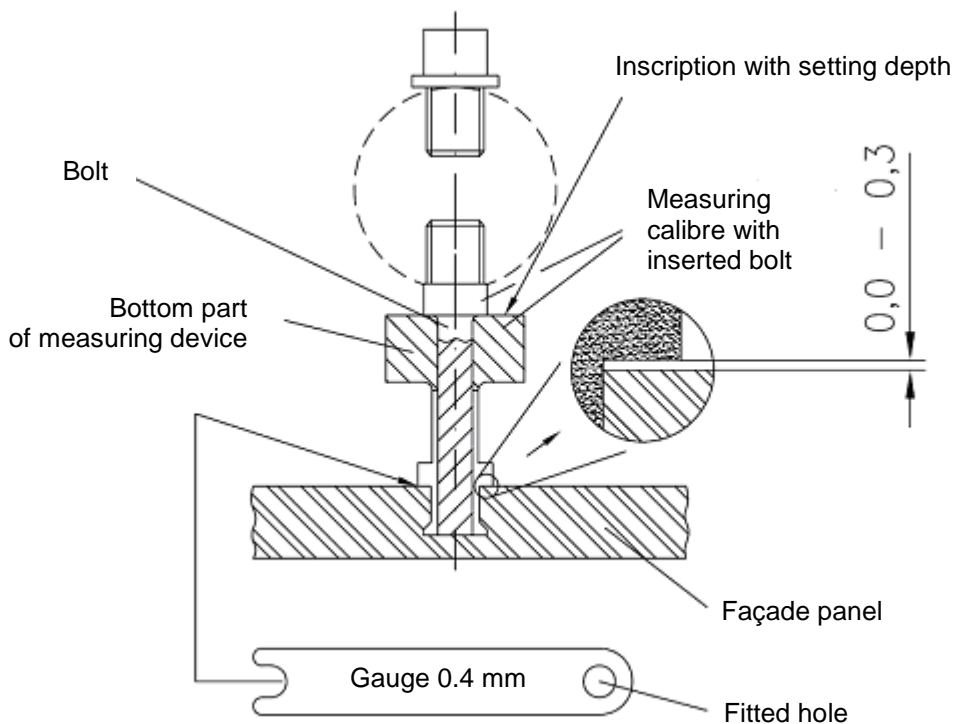


drill geometry

for KEIL - Façade drill DIA 12/0.8



KEIL measuring device



KEIL undercut anchor KH for facade panels HI-MACS(R) type: Alpine White

Drill hole dimensions
Setting tools and testing equipment

Annex 3

Table 2: Characteristic values for the design of the anchor and façade panel

Characteristic values of façade panel	panel thickness		$h =$	[mm]	12.0
	characteristic resistance to bending stress		$\sigma_{Rk} =$	[N/mm ²]	55.0
	partial safety factor ¹⁾		$\gamma_M =$	[-]	2.0
	modulus of elasticity		$E =$	[N/mm ²]	8,500
	thermal coefficient		$\alpha_T =$	[1/K]	30×10^{-6}
	specific weight		$\gamma =$	[kN/m ³]	17.5
Characteristic values of the anchor	characteristic resistance to	tension load ²⁾	$N_{Rk} =$	[kN]	1.8
		shear ²⁾	$V_{Rk} =$	[kN]	4.1
	setting depth		$h_s =$	[mm]	8.5
	edge distance ³⁾		a_{rx} or $a_{ry} \geq$	[mm]	100
	spacing		a_x or $a_y \geq$	[mm]	100
	partial safety factor ¹⁾		$\gamma_M =$	[-]	2.0

¹⁾ In absence of other national regulations.

²⁾ In case of coincident stress of an anchor due to tension and shear load following equation shall be observed:

$$\frac{N_{Sd}}{N_{Rd}} + \frac{V_{Sd}}{V_{Rd}} \leq 1.0$$

³⁾ For small fitted pieces, differential and fill-in pieces the edge distance and spacing shall be chosen constructively

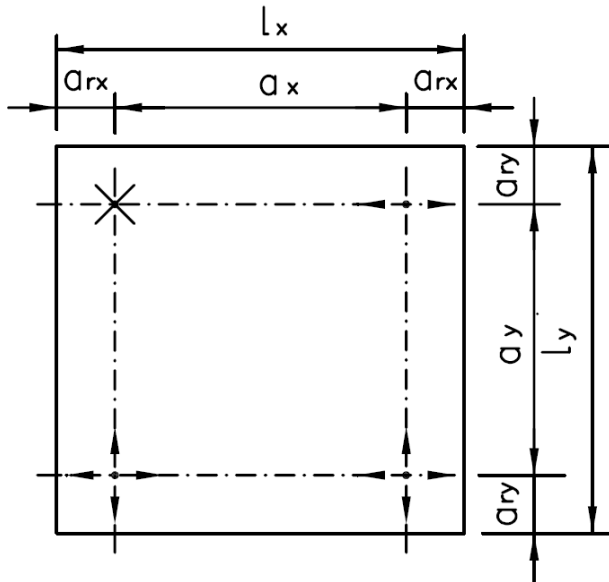
UV- radiation has no influence on the load-bearing capacity and the durability of the panel.

KEIL undercut anchor KH for façade panels HI-MACS(R) type: Alpine White

Characteristic values for the design of the anchor and façade panel

Annex 4

Definition of edge distance and spacing



Legend:

- $a_{rx,y}$ = edge distance – distance of an anchor to the slab edge
- $a_{x,y}$ = spacing – distance between anchors
- L_x = greater length of the façade slab
- L_y = smaller length of the façade slab
- X = fixed point (fixed bearing)
- ⊕ = horizontal skid (loose bearing)
- ⊕⊕ = horizontal and vertical skid (loose bearing)

Torsion of the load-bearing profile due to dead loads of the façade panel

In case of flush fixing of the anchor and when using horizontal load-bearing profiles:

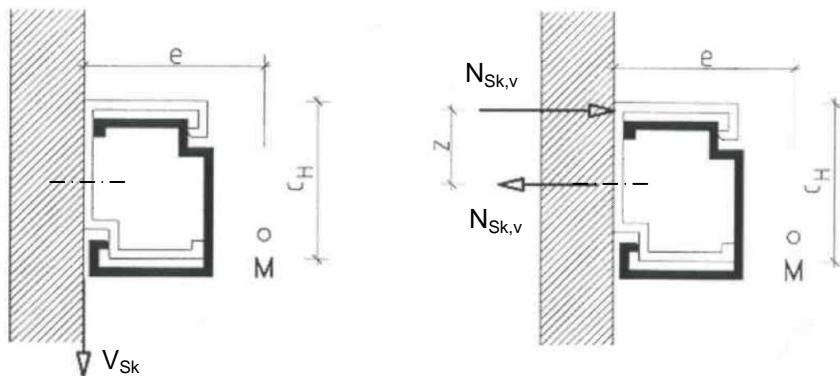
Due to torsion of the load-bearing profile resulting from dead load of the façade panel the following load $N_{Sk,v}$ shall be considered in direction to the anchor axes:

$$N_{Sk,v} = V_{Sk} \cdot 2e/c_H$$

V_{Sk} = shear load due to dead load of the façade panel

e und c_H [mm] see figure

M shear centre



KEIL undercut anchor KH for facade panels HI-MACS(R) type: Alpine White

Definition of edge distance and spacing
Torsion of load-bearing profile

Annex 5