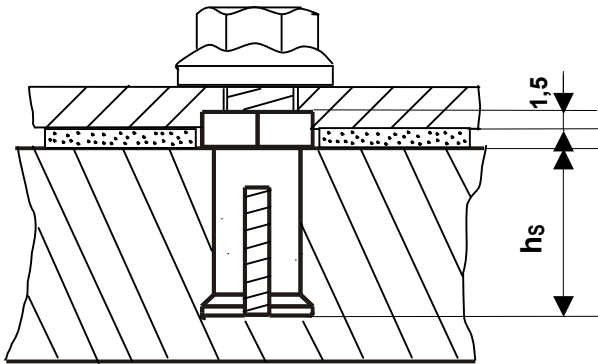


KEIL application 1



For example

1.1 Setting $h_s=10,0$

- for 3mm bracket clamping thickness 3 mm
=> 7.555.020.715 anchor AA $h_s=10$
bolt M6x16 DS14

1.2 Setting $h_s=7,0$

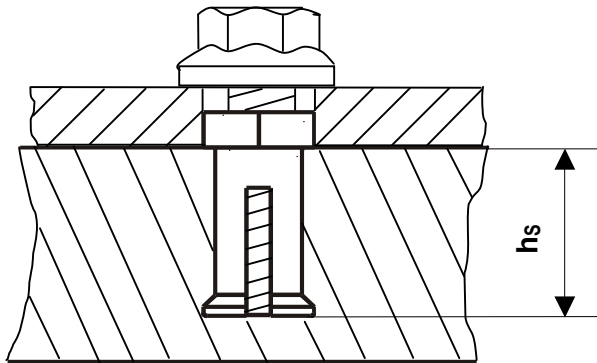
- for 3mm bracket clamping thickness 1,5 mm
(with stamped hexagon 1,5mm)
=> 7.555.020.780 anchor AA $h_s=7$
bolt M6x11,5 DS14

- for 3mm bracket clamping thickness 3 mm
=> 7.555.020.830 anchor AA $h_s=7$
bolt M6x13 DS14

1.3 Setting $h_s=5,5$

- for 3mm bracket clamping thickness 1,5 mm
(with stamped hexagon 1,5mm)
=> 7.555.020.724 anchor AA $h_s=5,5$
bolt M6x10 DS14

KEIL application 2



For example:

2.1 Setting $h_s=7$

- for 4,5mm bracket clamping thickness 1,5 mm
=> 7.555.020.780 anchor AA $h_s=7$
bolt M6x11,5 DS14

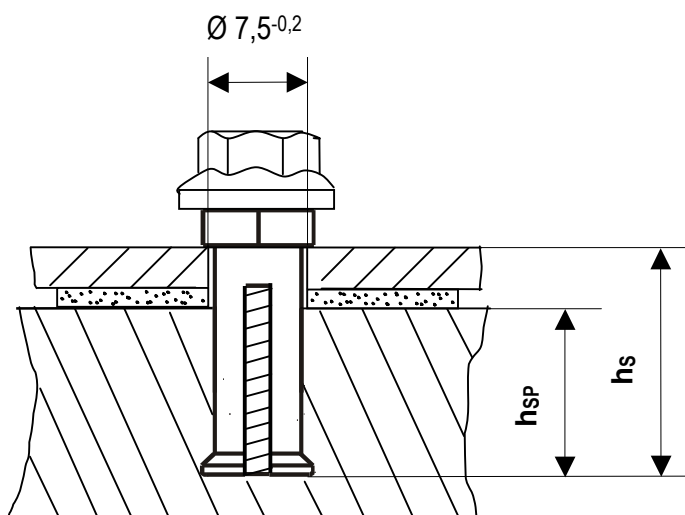
- for 12 mm bracket clamping thickness 9 mm
=> 7.555.020.845 anchor AA $h_s=7$
bolt M6x19 DS11

2.2 Setting $h_s=5,5$

- for 4,5mm bracket clamping thickness 1,5 mm
=> 7.555.020.724 anchor AA $h_s=5,5$
bolt M6x10 DS14

- for 12mm bracket clamping thickness 9 mm
=> 7.555.020.846 anchor AA $h_s=5,5$
bolt M6x17,5 DS 14

KEIL application 3



For Example:

3.1 Setting depth panel $h_{sPanel}=7,0$

- for 2mm (with 2-3mm elastic rubber)
and through hole
=> 7.555.020.809 anchor AA $h_s=10$
bolt M6x13 DS 14

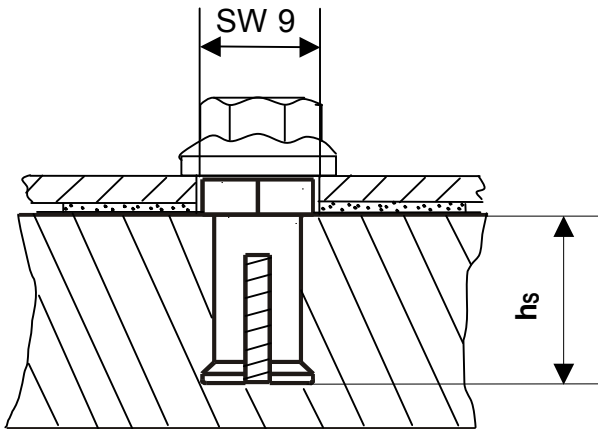
3.2 Setting depth panel $h_{sPanel}=5,5$

- for 2mm (with 2-3mm elastic rubber)
and through hole
=> 7.555.020.823 anchor AA $h_s=8,5$
bolt M6x11,5 DS 14

3.3 Setting depth panel $h_{sPanel}=4,0$

- for 2mm (with 2-3mm elastic rubber)
and through hole
=> 7.555.020.804 anchor AA $h_s=7$
bolt M6x10 DS 14

KEIL application 4



For example:

- for brackets
- panel support rails

4.1 Setting depth $h_s=10,0$

- for thickness of bracket $\leq 2,5\text{mm}$ (+ 2-3mm elastic rubber) with hexagonal boring or elongated hole f.e. 9,2x12mm. (clamping thickness zero)
=> 7.555.020.809 anchor AA $h_s=10$
bolt M6x13 DS14

4.2 Setting depth $h_s=8,5$

- for thickness of bracket $\leq 2,5\text{mm}$ (+ 2-3mm elastic rubber) with hexagonal boring or elongated hole f.e. 9,2x12mm. (clamping thickness zero)
=> 7.555.020.823 anchor AA $h_s=8,5$
bolt M6x11,5 DS 14

4.3 Setting depth $h_s= 7,0$

- for thickness of bracket $\leq 2,5\text{mm}$ (+ 2-3mm elastic rubber) with hexagonal boring or elongated hole f.e. 9,2x12mm. (clamping thickness zero)
=> 7.555.020.804 anchor AA $h_s=7$
bolt M6x10 DS14

4.4 Setting depth $h_s= 5,5$

- for thickness of bracket $\leq 2,5\text{mm}$ (+ 2-3mm elastic rubber) with hexagonal boring or elongated hole f.e. 9,2x12mm. (clamping thickness zero)
=> 7.555.020.856 anchor AA $h_s=5,5$
bolt M6x8,5 DS14

For up to date prices please see the current price list